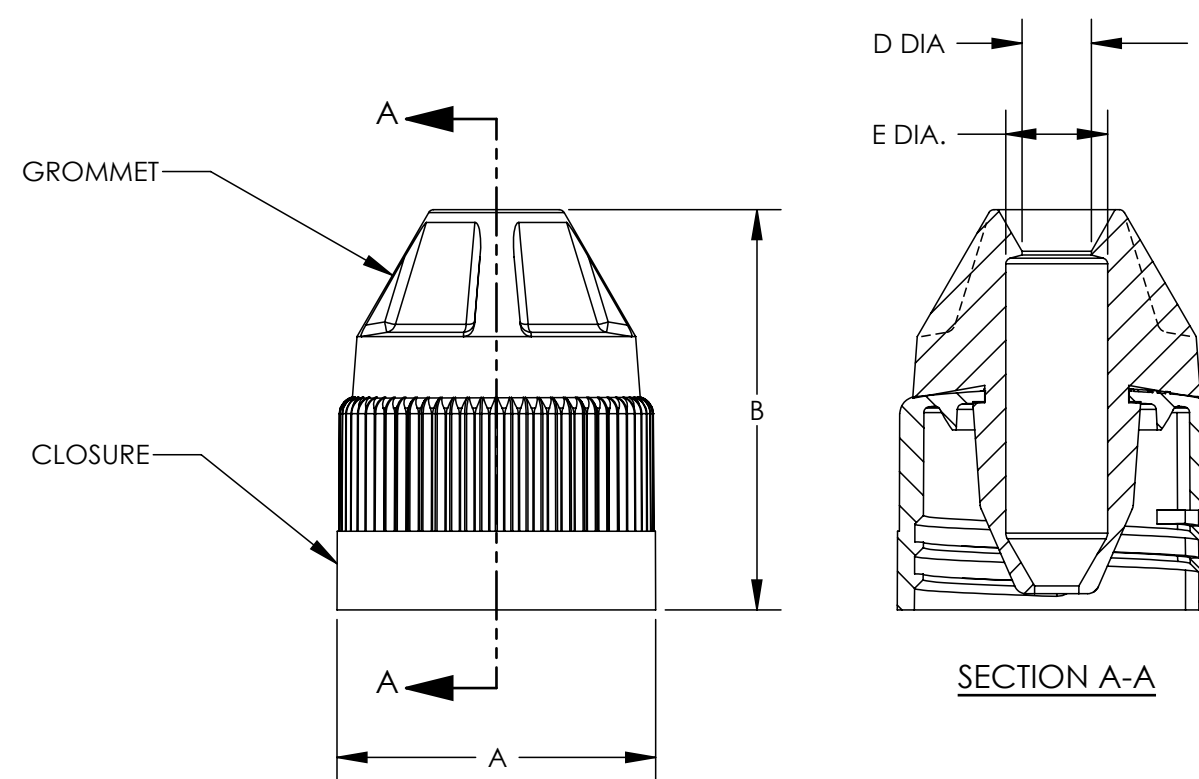
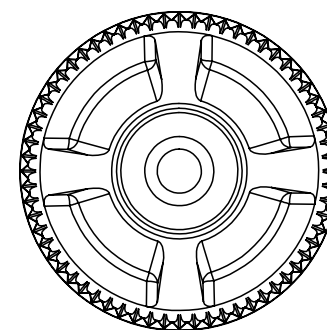


CATALOG NUMBER		2145-0384	
MATERIALS	GROMMET	WHITE SILICONE	
	CLOSURE	WHITE PP	
CLOSURE SIZE (mm).....:		38-430	
	INCH	MM	
A (DIA).....:	1.66	42.2	
B HEIGHT.....:	2.08	52.8	
C (DIA.).....:	0.53	13.5	
D (DIA).....:	0.36	9.1	

1. ALL DIMENSIONS ARE NOMINAL AND IN INCHES AND MILLIMETERS UNLESS OTHERWISE NOTED.
2. THIS IS NOT A PRODUCTION DRAWING, BUT IS FOR INFORMATIONAL PURPOSES ONLY, AND IS SUBJECT TO CHANGE WITHOUT NOTICE.



SPECS ON BACK

NOT TO SCALE

CONFIDENTIAL

THIS PRODUCT SPECIFICATION SHEET CONTAINS CONFIDENTIAL AND/OR PROPRIETARY INFORMATION AND IS TO BE USED ONLY FOR THE EXPRESSED PURPOSES AGREED UPON BY AN AUTHORIZED OFFICER OF THERMO FISHER SCIENTIFIC.

ThermoFisher
SCIENTIFIC

Thermo Fisher Scientific
75 Panorama Creek Drive
Rochester, NY 14625-2385, USA

MADE	PB	APP'D	JMC
CK'D	JMC	DATE	11/29/07

PSS 00-2145-0384

REV. 1107

DESCRIPTION:

PROBE ADAPTER CLOSURE