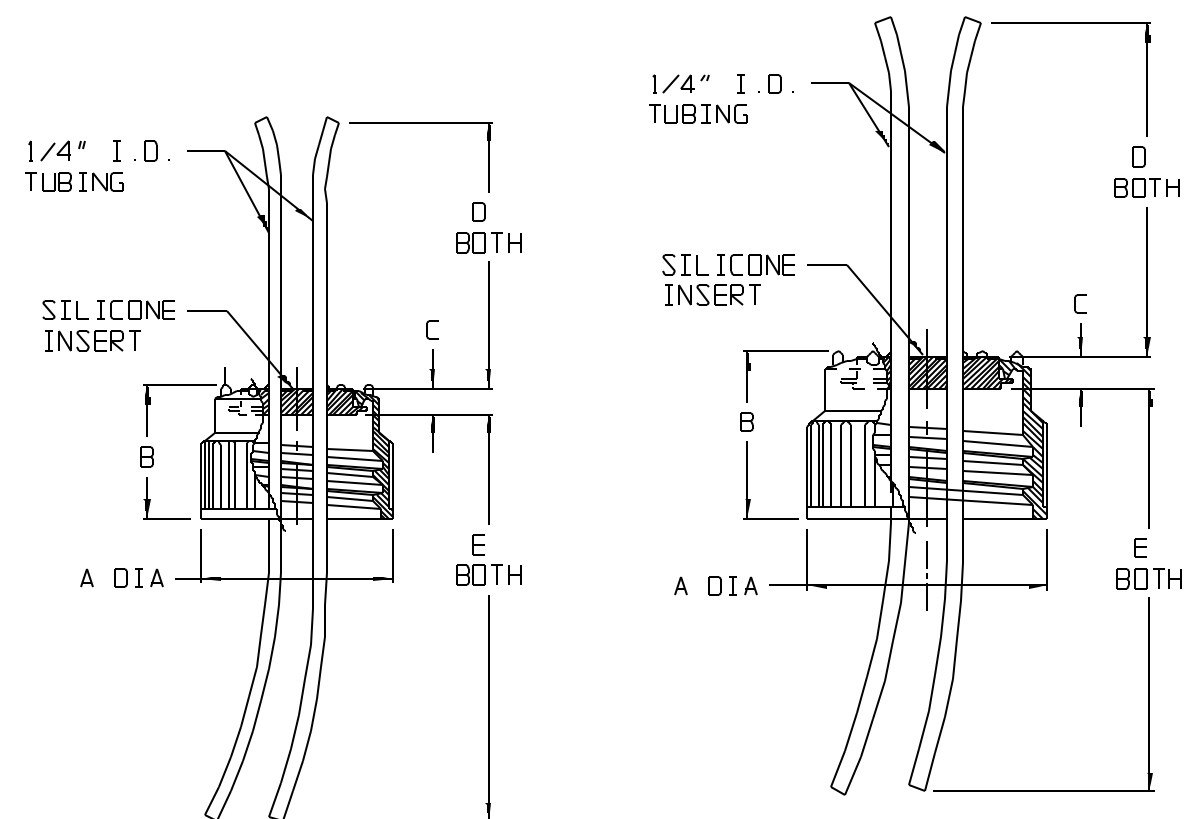


CATALOG NUMBER.....		2135-5302		2135-8302	
MATERIAL	CLOSURE...	PP			
	INSERT....	SILICONE - PLATINUM CURED			
	TUBING....	SILICONE - PLATINUM CURED			
CLOSURE SIZE (mm)..		53B		83B	
TUBING SIZES.....		(2) 1/4 I.D.		(2) 1/4 I.D.	
		INCH	MM	INCH	MM
A (CLOSURE DIA)...		2.58 ±.02	65.5 ±0.5	4.00 ±.03	101.6 ±0.8
B (CLOSURE HT)....		1.65 ±.02	41.9 ±0.5	2.82 ±.03	71.6 ±0.8
C (INSERT HT).....		0.67 ±.03	17.0 ±0.8	0.91 ±.04	23.1 ±1.0
D (TUBING LENGTH ABOVE INSERT)...		12	305	12	305
E (TUBING LENGTH BELOW INSERT)...		13	330	19	483
NOM WT. (gns).....		110		245	

NOTES:

1. ALL DIMENSIONS ARE NOMINAL AND IN INCHES AND MILLIMETERS UNLESS OTHERWISE NOTED.
2. THIS IS NOT A PRODUCTION DRAWING, BUT IS FOR INFORMATIONAL PURPOSES ONLY, AND IS SUBJECT TO CHANGE WITHOUT NOTICE.



CAT. NO. 2135-5302

CAT. NO. 2135-8302

SPECS ON BACK

NOT TO SCALE

CONFIDENTIAL

THIS PRODUCT SPECIFICATION SHEET CONTAINS CONFIDENTIAL AND/OR PROPRIETARY INFORMATION AND IS TO BE USED ONLY FOR THE EXPRESSED PURPOSES AGREED UPON BY AN AUTHORIZED OFFICER OF THERMO FISHER SCIENTIFIC.

ThermoFisher
SCIENTIFIC

Thermo Fisher Scientific
75 Panorama Creek Drive
Rochester, NY 14625-2385, USA

MADE	MC	APP'D	PVC	PSS 00-2135-X302	REV.
CK'D	PVC	5/15/01			0501
DESCRIPTION: FLEXIBLE TOP WORKS™ SYSTEM SCREW CLOSURES WITH SILICONE INSERTS AND 2 PORTS					