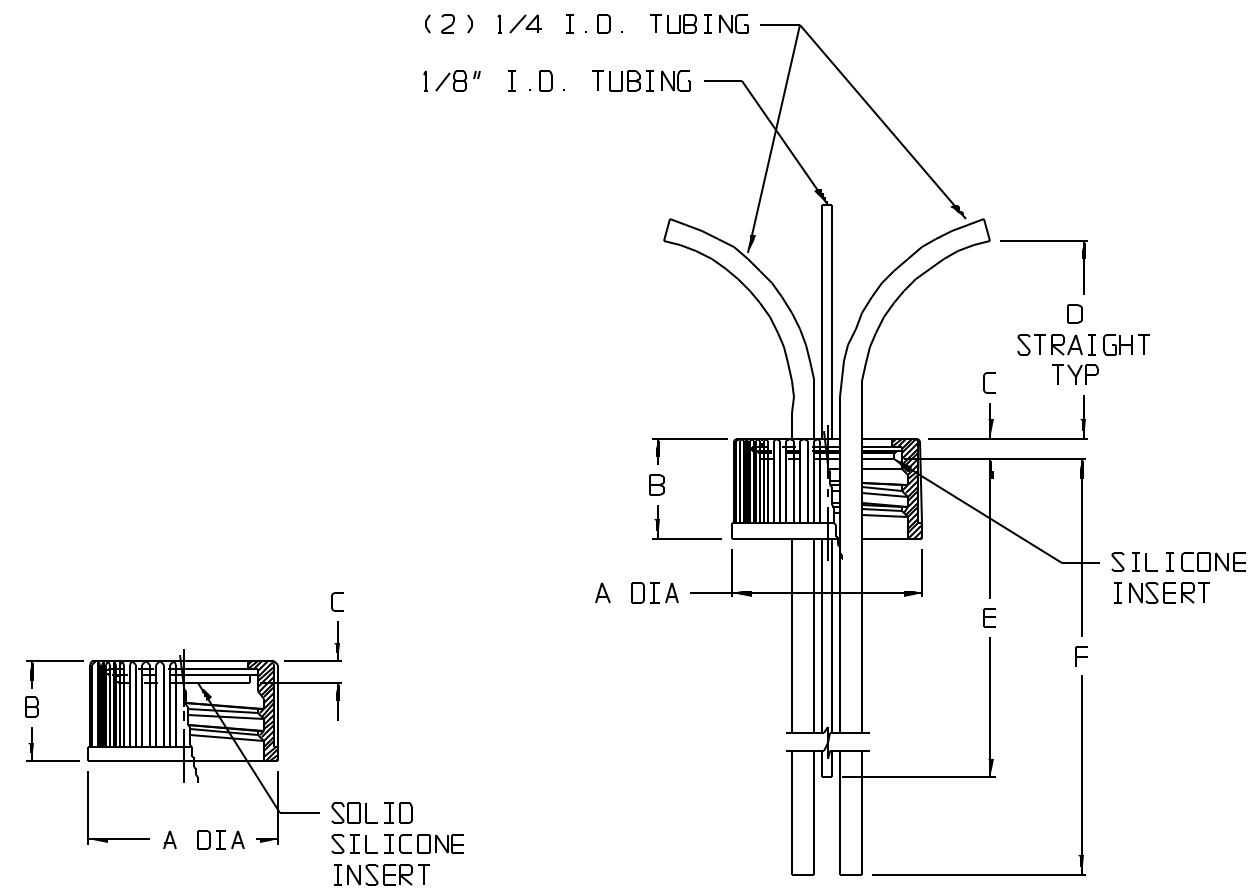


CATALOG NUMBER.....:	2132-1001		2132-1003	
CLOSURE SIZE (mm)....:	GL45		GL45	
THREAD (T.P.I.).....:	6		6	
MATERIAL	CLOSURE.....:	PSF		
	INSERT.....:	SILICONE, PLATINUM-CURED		
	DROP TUBES.....:	—————		SILICONE, PLATINUM-CURED
	INCH	MM	INCH	MM
A (CLOSURE DIA).....:	2.06	52.3	2.06	52.3
B (CLOSURE HT).....:	1.02	25.9	1.02	25.9
C (INSERT THICKNESS):	.43	10.9	.43	10.9
D .....	—————	—————	12	305
E .....	—————	—————	10	254
F .....	—————	—————	25	635
NOM WT. (gms).....:	30		130	

NOTES:

1. ALL DIMENSIONS ARE NOMINAL AND IN INCHES AND MILLIMETERS UNLESS OTHERWISE NOTED.
2. THIS IS NOT A PRODUCTION DRAWING, BUT IS FOR INFORMATIONAL PURPOSES ONLY, AND IS SUBJECT TO CHANGE WITHOUT NOTICE.



CAT. NO. 2132-1001

CAT. NO. 2132-1003

SPECS ON BACK

NOT TO SCALE

CONFIDENTIAL

THIS PRODUCT SPECIFICATION SHEET CONTAINS CONFIDENTIAL AND/OR PROPRIETARY INFORMATION AND IS TO BE USED ONLY FOR THE EXPRESSED PURPOSES AGREED UPON BY AN AUTHORIZED OFFICER OF THERMO FISHER SCIENTIFIC.

**ThermoFisher**  
SCIENTIFIC

Thermo Fisher Scientific  
75 Panorama Creek Drive  
Rochester, NY 14625-2385, USA

MADE	MC	APP'D	PVC	PSS 00-2132-100X	REV. 0502
CK'D	PVC		5/16/02		

DESCRIPTION: TOP WORKS™ SYSTEM FOR MEDIA BOTTLE TOPS