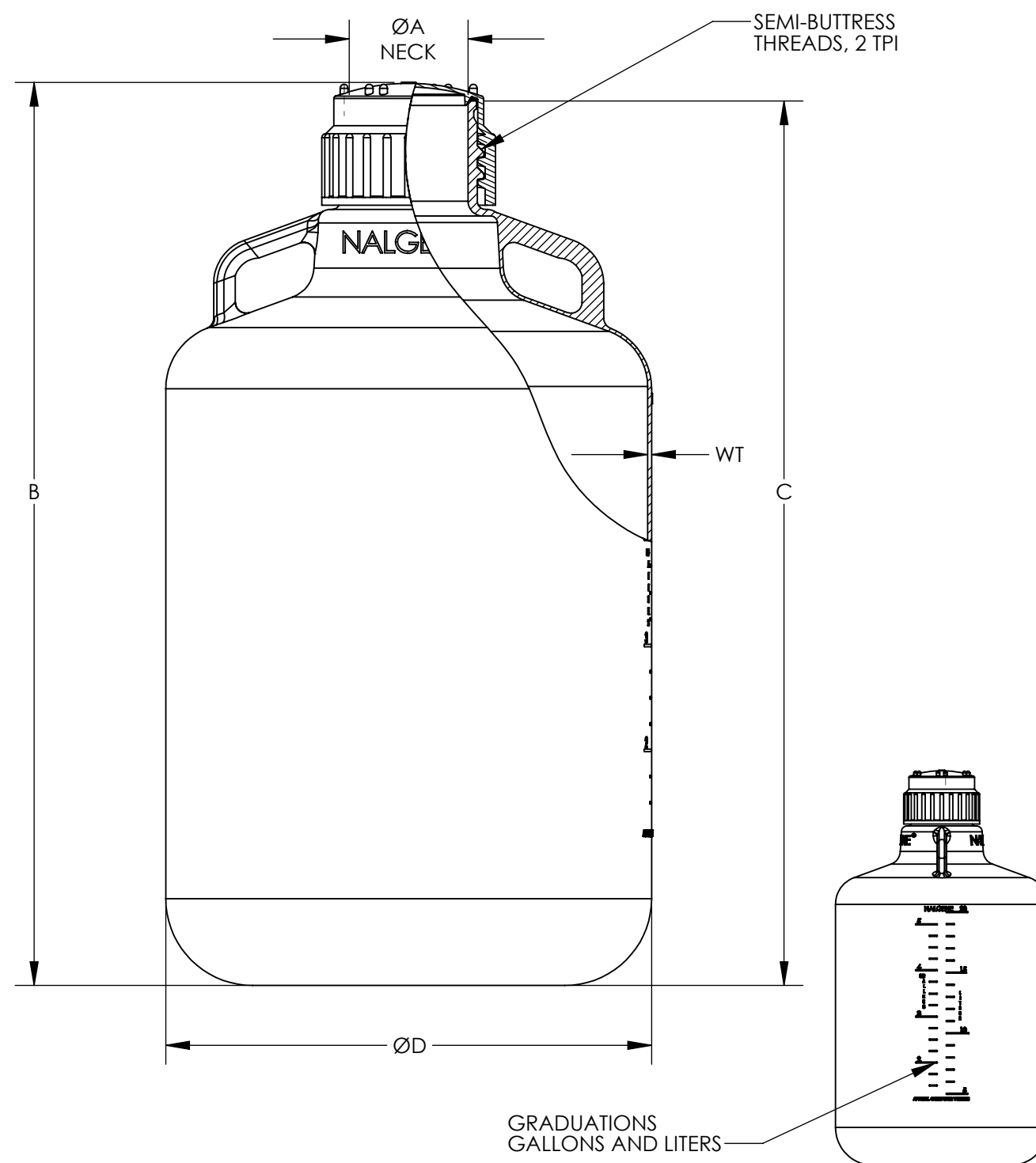


CATALOG NO.	NOMINAL CAPACITY (GAL)		MATERIALS	
	002097	2.5	5	CARBOY HDPE

SIZE CODE	-0020		-0050	
SIZE (NOM. VOL L/GAL)	10/2.5		20/5	
NOM BRIM CAPACITY (L)	12		22.5	
NECK FINISH (MM)	83B		83B	
THREAD (TPI)	2		2	
NOM. WEIGHT W/CLOSURE (grams)	1050		1700	
	IN	MM	IN	MM
A (NECK ID)	2.52 ±.1	64 ±2.5	2.52 ±.1	64 ±2.5
B (HT. W/CLOSURE)	15.3 ±.2	389 ±5	20.7 ±.3	526 ±8
C (HT. W/O CLOSURE)	14.8 ±.2	376 ±5	20.2 ±.3	513 ±8
D (DIA)	9.85 ±.12	250.2 ±3	11.1 ±.2	281.9 ±5.1
WT (NOM. WALL THICKNESS)	.12	3	.16	4.1

1. ALL DIMENSIONS ARE NOMINAL AND IN INCHES AND MILLIMETERS UNLESS OTHERWISE NOTED.
2. THIS IS NOT A PRODUCTION DRAWING, BUT IS FOR INFORMATIONAL PURPOSES ONLY, AND IS SUBJECT TO CHANGE WITHOUT NOTICE.



SPECS ON BACK

NOT TO SCALE

CONFIDENTIAL

THIS PRODUCT SPECIFICATION SHEET CONTAINS CONFIDENTIAL AND/OR PROPRIETARY INFORMATION AND IS TO BE USED ONLY FOR THE EXPRESSED PURPOSES AGREED UPON BY AN AUTHORIZED OFFICER OF THERMO FISHER SCIENTIFIC.

ThermoFisher
SCIENTIFIC

Thermo Fisher Scientific
75 Panorama Creek Drive
Rochester, NY 14625-2385, USA

MADE PMP	APP'D PWC	PSS 00-2097-XXXX-2	REV.
CK'D JC	5/5/15		0415
DESCRIPTION: FLOURINATED CARBOYS			