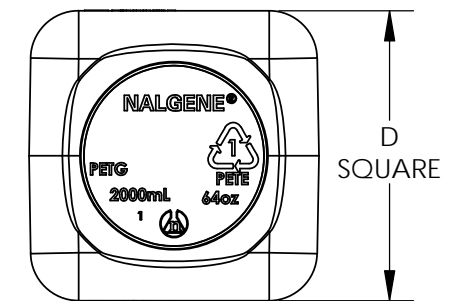
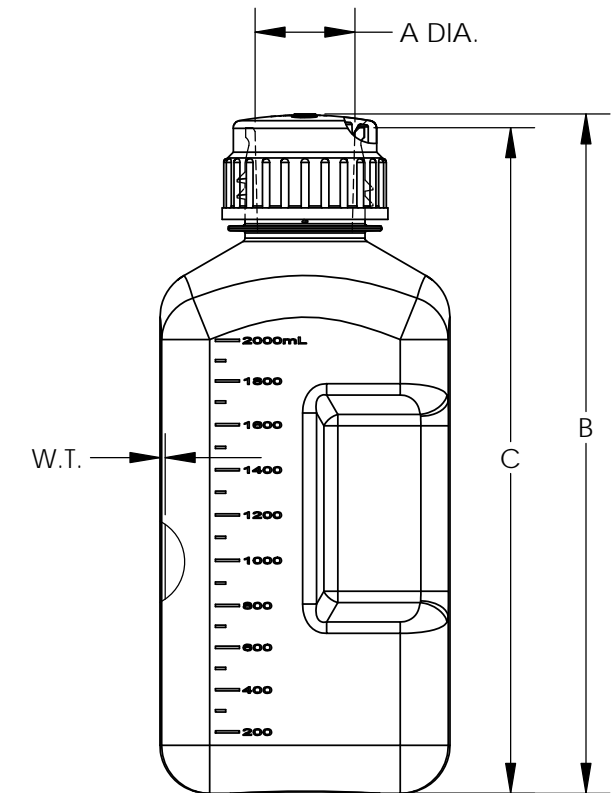
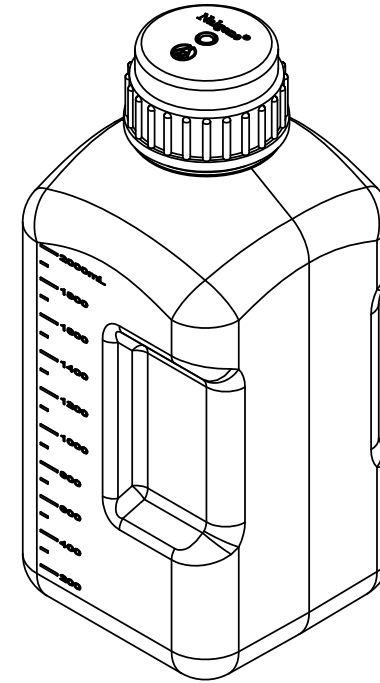


CATALOG NUMBER	NOMINAL CAPACITY (oz)	MATERIALS	
		BOTTLE	CLOSURE
2019	64	PETG	WHITE HDPE

SIZE CODE.....:	-2000	
SIZE (NOM. VOL mL/oz).....:	2000/64	
NOM. BRIM CAP (mL).....:	2380	
NECK FINISH (mm).....:	53B	
THREAD (T.P.I.).....:	4	
NOM. WEIGHT W/CLOSURE (gms).....:	350	
	INCH	MM
A (NECK I.D.).....:	1.53 ±.03	38.9 ±0.8
B (HT. W/ CLOSURE).....:	10.65 ±.14	270.5 ±3.6
C (HT. W/O CLOSURE).....:	10.42 ±.14	264.7 ±3.6
D (SQUARE).....:	4.55 ±.09	115.6 ±2.3
W.T NOM. WALL THK.....:	0.090	2.3
MIN WALL THICKNESS.....:	0.009	.23



SPECS ON BACK

NOT TO SCALE

1. ALL DIMENSIONS ARE NOMINAL AND IN INCHES AND MILLIMETERS UNLESS OTHERWISE NOTED.
2. THIS IS NOT A PRODUCTION DRAWING, BUT IS FOR INFORMATIONAL PURPOSES ONLY, AND IS SUBJECT TO CHANGE WITHOUT NOTICE.

### CONFIDENTIAL

THIS PRODUCT SPECIFICATION SHEET CONTAINS CONFIDENTIAL AND/OR PROPRIETARY INFORMATION AND IS TO BE USED ONLY FOR THE EXPRESSED PURPOSES AGREED UPON BY AN AUTHORIZED OFFICER OF THERMO FISHER SCIENTIFIC.

**ThermoFisher**  
SCIENTIFIC

Thermo Fisher Scientific  
75 Panorama Creek Drive  
Rochester, NY 14625-2385, USA

MADE	PB	APP'D	GRP	PSS 00-2019-2000	REV. 0813
CK'D	KOW		8/9/13		
DESCRIPTION:				SQUARE, (NARROW MOUTH) MEDIA LAB QUALITY BOTTLE	