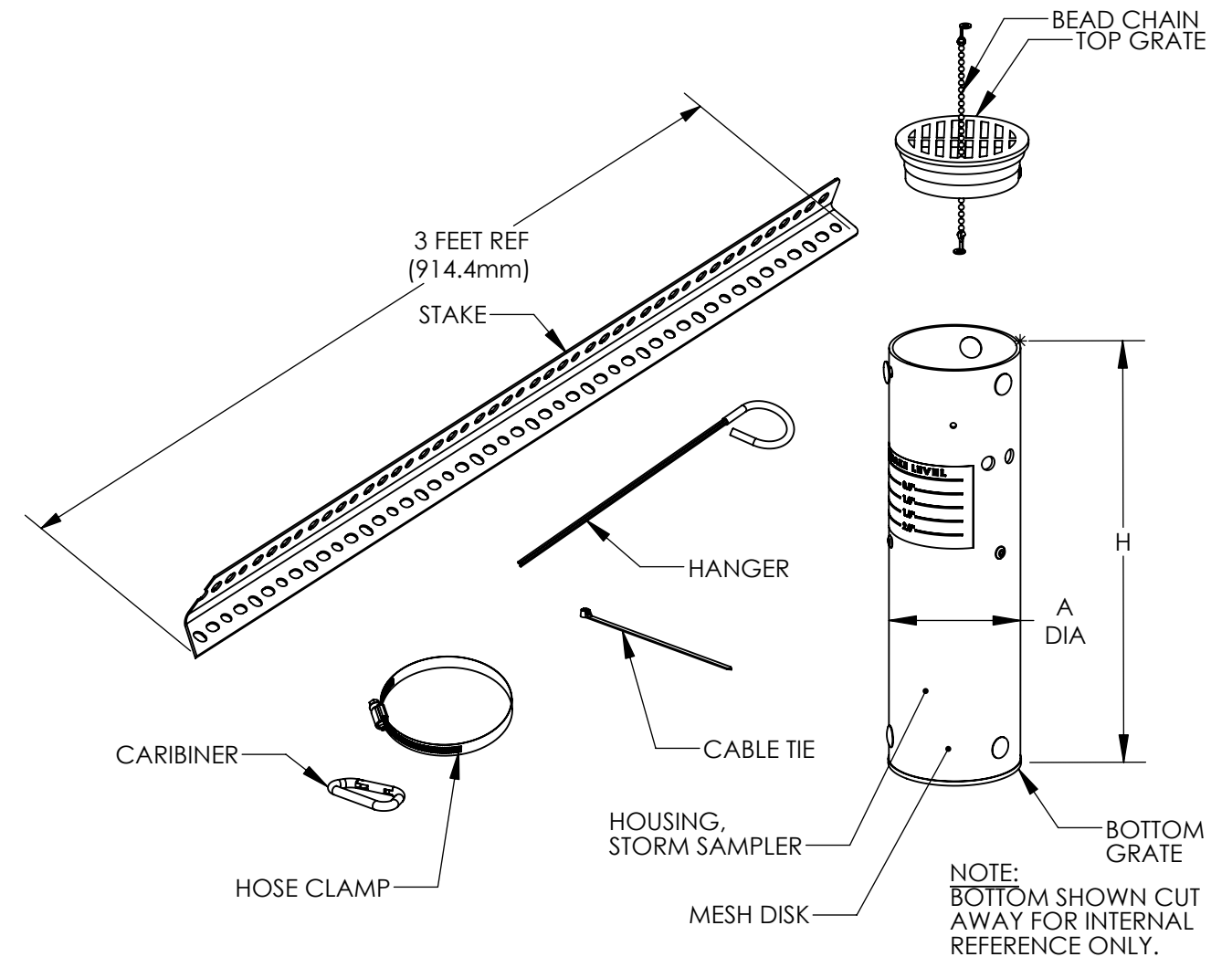


CATALOG NUMBER.....:	1150-1000	
	INCH	MM
A (HOUSING DIAMETER).....:	4.5	114
H (ASSEMBLED HEIGHT).....:	14.5	368
COMPONENT	MATERIAL	
HOUSING	BLACK HDPE	
TOP GRATE	STRUCTURAL FOAM, PE	
BEAD CHAIN, LANYARD	SS	
RIVETS	NYLON	
MESH DISK	POLYESTER	
BOTTOM GRATE	STRUCTURAL FOAM, PE	
STAKE, 3 FEET	STEEL	
WORM CLAMP, 4-1/8"-7" (10.48cm-17.8cm)RANGE	SS	
HANGER	STEEL	
CABLE TIE	NYLON	
CARIBINER	BLACK ALUMINUM	



SPECS ON BACK

NOT TO SCALE

1. ALL DIMENSIONS ARE NOMINAL AND IN INCHES AND MILLIMETERS UNLESS OTHERWISE NOTED.
2. THIS IS NOT A PRODUCTION DRAWING, BUT IS FOR INFORMATIONAL PURPOSES ONLY, AND IS SUBJECT TO CHANGE WITHOUT NOTICE.

CONFIDENTIAL

THIS PRODUCT SPECIFICATION SHEET CONTAINS CONFIDENTIAL AND/OR PROPRIETARY INFORMATION AND IS TO BE USED ONLY FOR THE EXPRESSED PURPOSES AGREED UPON BY AN AUTHORIZED OFFICER OF THERMO FISHER SCIENTIFIC.

ThermoFisher
SCIENTIFIC

Thermo Fisher Scientific
75 Panorama Creek Drive
Rochester, NY 14625-2385, USA

MADE	MC ²	APP'D	PVC
CK'D	PVC		4/24/06

PSS 00-1150-1000

REV. 0406

DESCRIPTION:

STORM WATER MOUNTING KIT