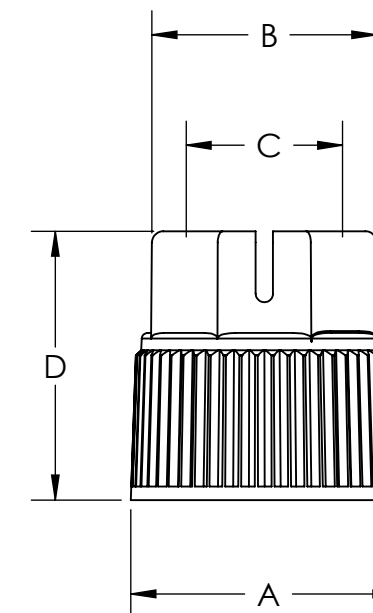
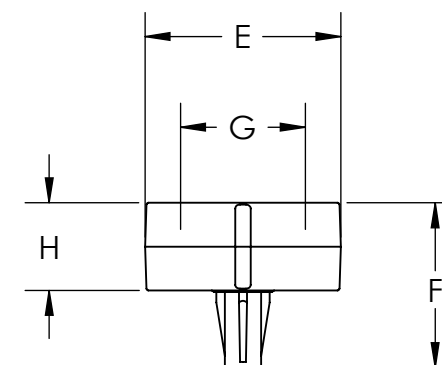
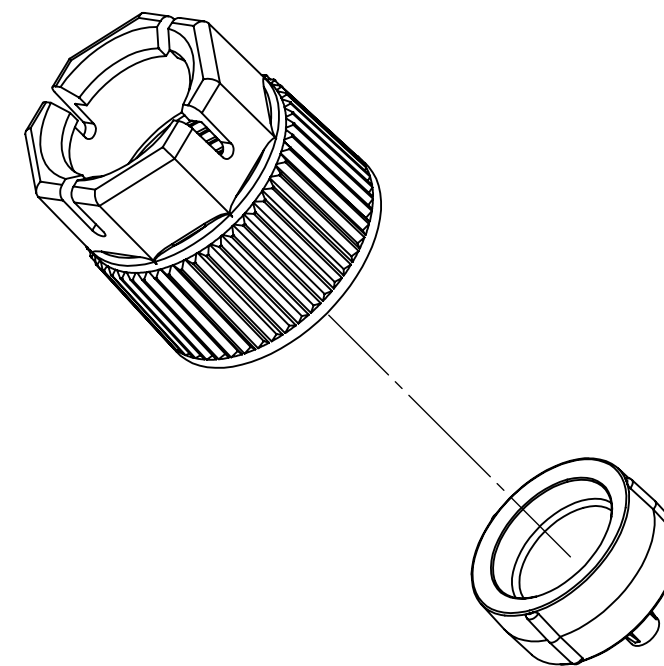


CATALOG NUMBER.....:	6423	
SIZE CODE.....:	-0010	
NOM. WEIGHT (gms)....:	11.6	
THREAD.....:	1 1/8-12 UNF	
	INCH	MM
A (NUT O.D.).....:	1.39	35.3
B (ACROSS FLATS).....:	1.17	29.7
C (NUT I.D.).....:	0.83	2.1
D (OVERALL HEIGHT)....:	1.40	35.6
E (PLUG O.D.).....:	1.00	25.4
F (PLUG OAL HEIGHT)..:	0.84	21.3
G (PLUG I.D.).....:	0.70	17.8
H (PLUG HEIGHT).....:	0.45	11.4

MATERIALS	
NUT	PP (WHITE)
PLUG	TPE (NATURAL)



SPECS ON BACK

NOT TO SCALE

1. ALL DIMENSIONS ARE NOMINAL AND IN INCHES AND MILLIMETERS UNLESS OTHERWISE NOTED.
2. THIS IS NOT A PRODUCTION DRAWING, BUT IS FOR INFORMATIONAL PURPOSES ONLY, AND IS SUBJECT TO CHANGE WITHOUT NOTICE.

**CONFIDENTIAL**

THIS PRODUCT SPECIFICATION SHEET CONTAINS CONFIDENTIAL AND/OR PROPRIETARY INFORMATION AND IS TO BE USED ONLY FOR THE EXPRESSED PURPOSES AGREED UPON BY AN AUTHORIZED OFFICER OF THERMO FISHER SCIENTIFIC.

**ThermoFisher**  
SCIENTIFIC

Thermo Fisher Scientific  
75 Panorama Creek Drive  
Rochester, NY 14625-2385, USA

MADE TL	APP'D GRP	PSS 00-6423-0010	REV. 0509
CK'D PB	5/12/09		

DESCRIPTION:  
SPIGOT CLOSURE, PP/TPE