

CATALOG NUMBER	CLOSURE SIZES		MATERIALS				
			CLOSURE	GASKET	TUBING	PORT CAP	VENT CAP
2162	83B (1/4" PORT)	83B (1/2" PORT)	PP (WHITE)	TPE	NALGENE 50 PLATINUM CURED SILICONE	TPE	TPE

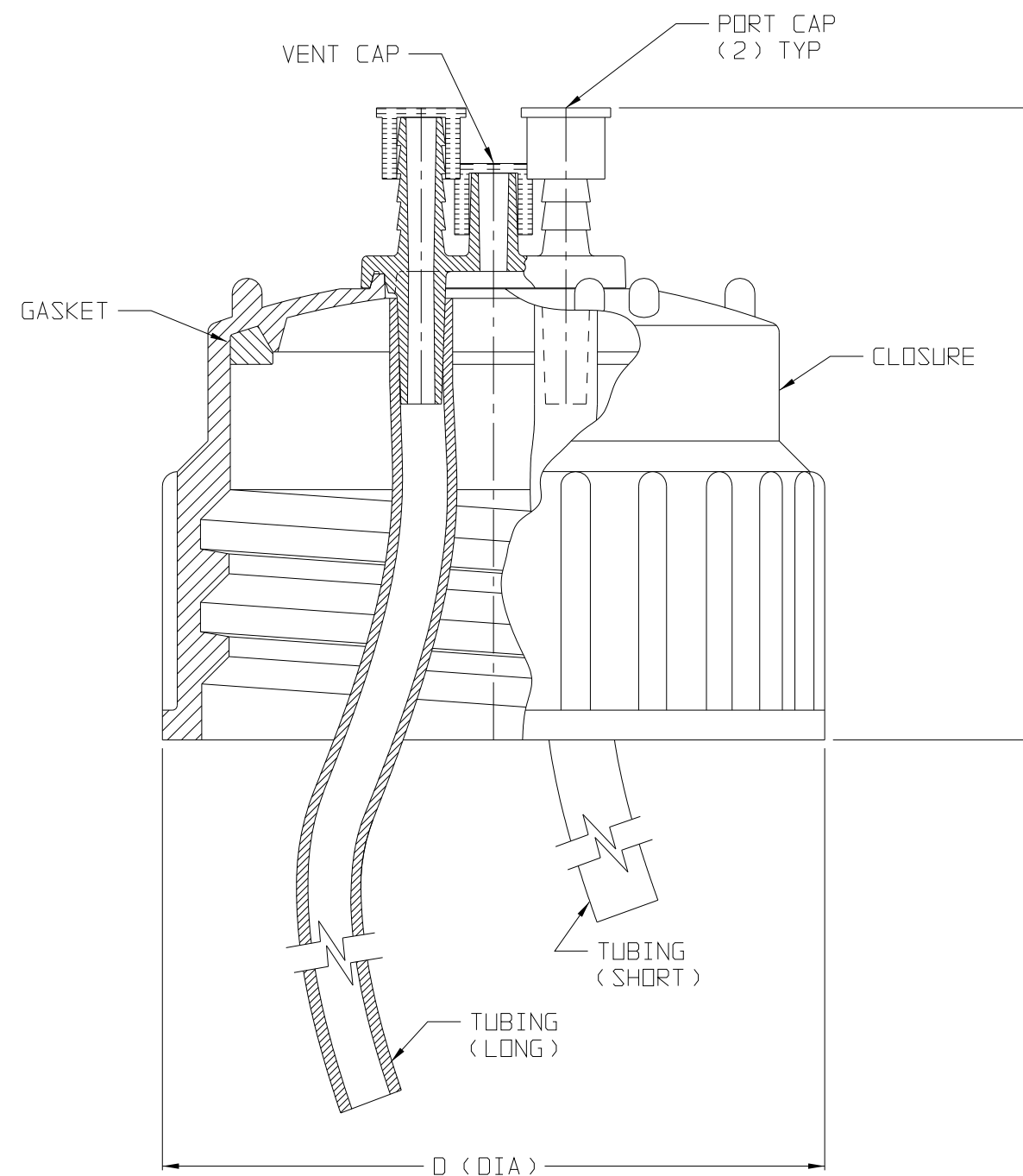
SIZE CODE.....	-0830		-0831	
THREAD FINISH (mm).....	83		83	
THREAD (T.P.I.).....	2		2	
NOM. WEIGHT (ASSEMBLED gm).....	210		140	
A (NOMINAL HEIGHT).....	INCH	MM	INCH	MM
	3.9	99	3.9	99
D (DIA).....	4.00	101.6	4.00	101.6
BARBED PORT SIZE (inch):	1/2		1/4	
VENT PORT SIZE (inch):	3/8		1/4	

NOTE:

83B-CLOSURES ARE SUPPLIED WITH A 6" SHORT TUBE AND A 30" LONG TUBE ATTACHED.

NOTES:

1. ALL DIMENSIONS ARE NOMINAL AND IN INCHES AND MILLIMETERS UNLESS OTHERWISE NOTED.
2. THIS IS NOT A PRODUCTION DRAWING, BUT IS FOR INFORMATIONAL PURPOSES ONLY, AND IS SUBJECT TO CHANGE WITHOUT NOTICE.



SPECS ON BACK

NOT TO SCALE

CONFIDENTIAL

THIS PRODUCT SPECIFICATION SHEET CONTAINS CONFIDENTIAL AND/OR PROPRIETARY INFORMATION AND IS TO BE USED ONLY FOR THE EXPRESSED PURPOSES AGREED UPON BY AN AUTHORIZED OFFICER OF THERMO FISHER SCIENTIFIC.

**ThermoFisher
SCIENTIFIC**

Thermo Fisher Scientific
75 Panorama Creek Drive
Rochester, NY 14625-2385, USA

MADE CK'D	PB KOW	APP'D GRP	4/24/13	PSS 00-2162-083X	REV. 0413
--------------	-----------	--------------	---------	------------------	--------------

DESCRIPTION:
FILLING/VENTING CLOSURES